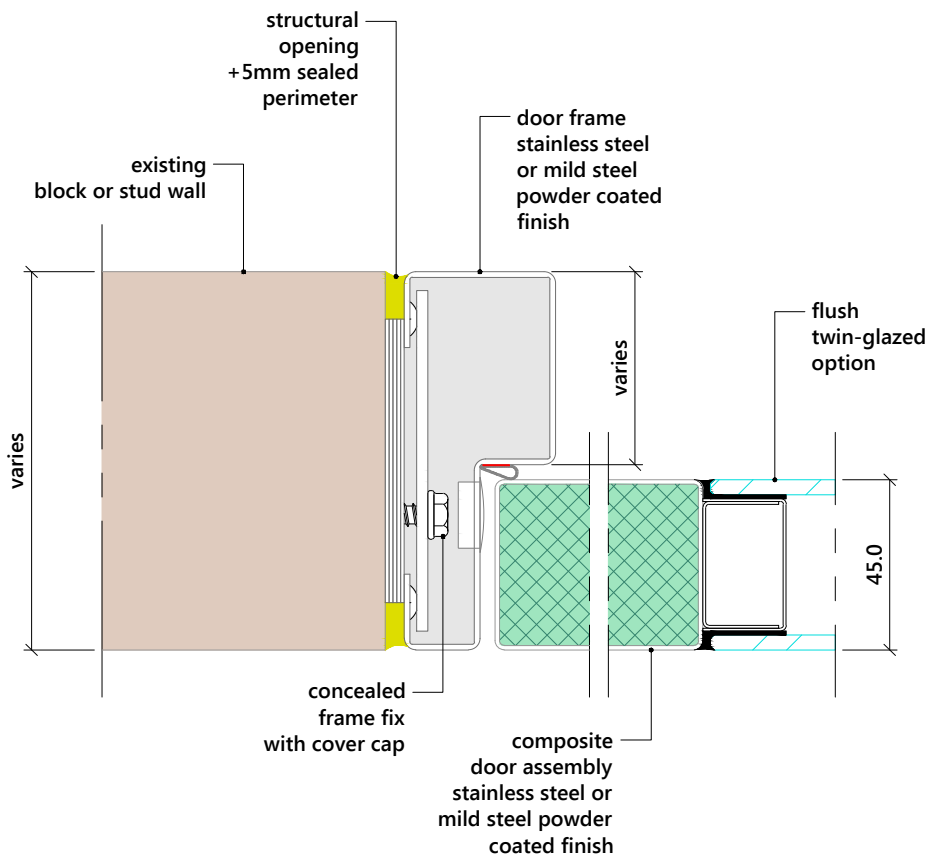


# DOORS

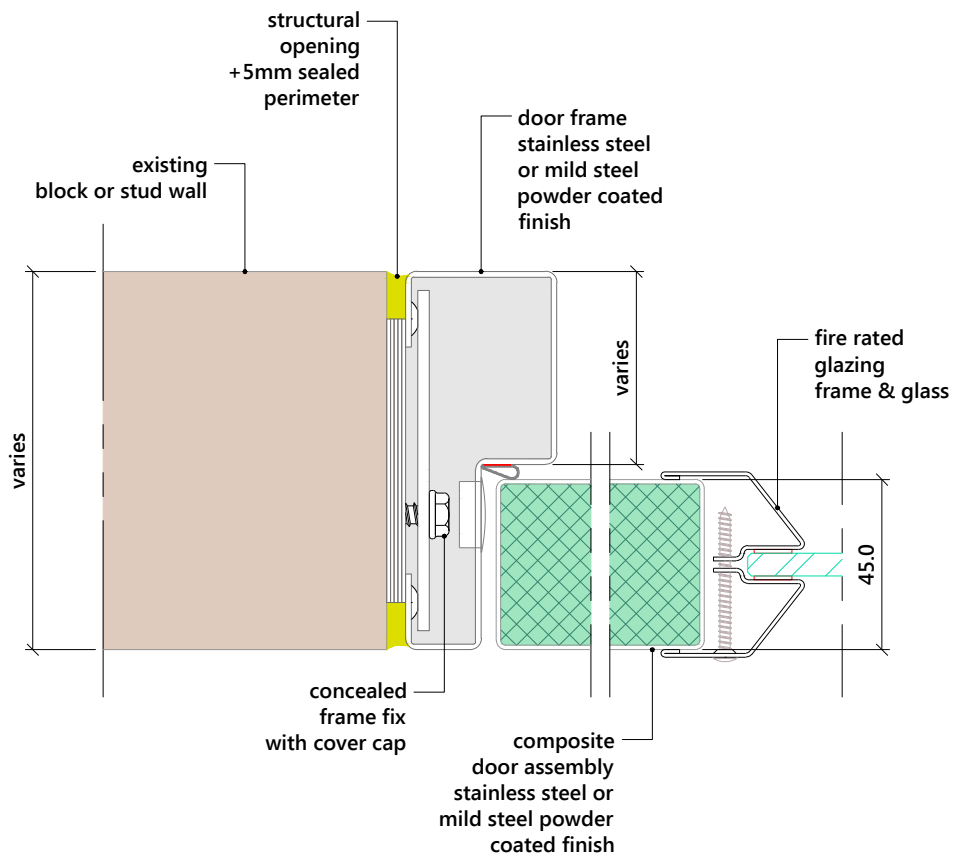
## Integrated door sets



horizontal section through  
door to wall - abutting frame  
non-fire rated

# DOORS

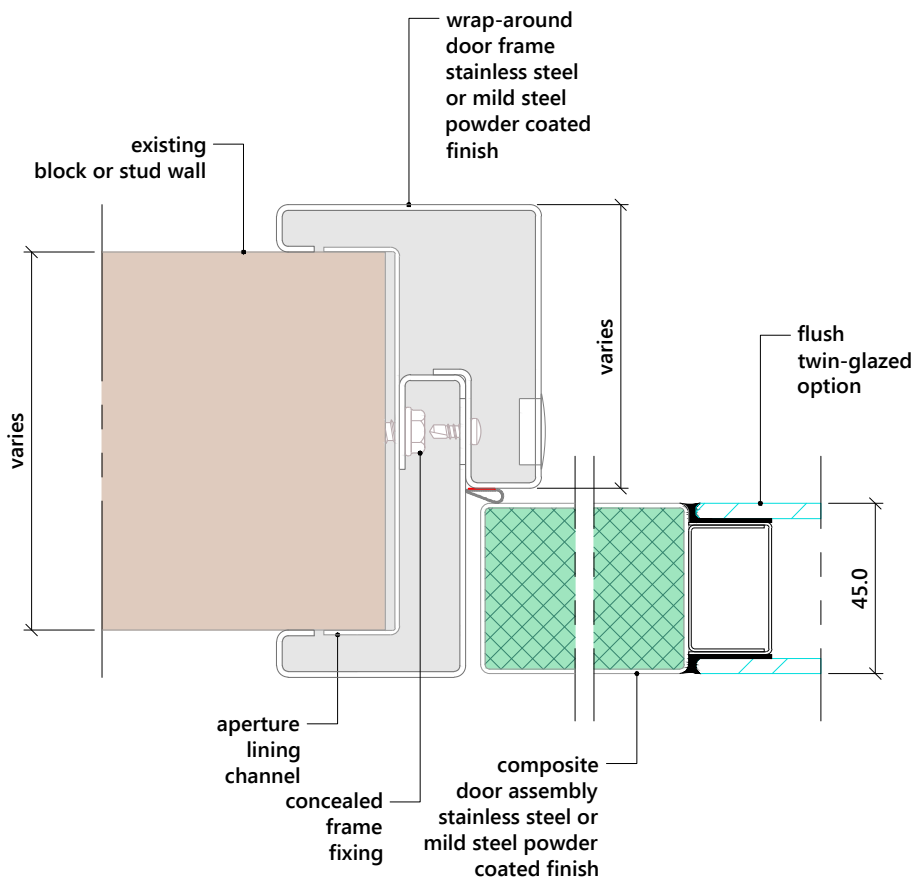
## Integrated door sets



horizontal section through door to wall - abutting frame fire rated (up to 60mins)

# DOORS

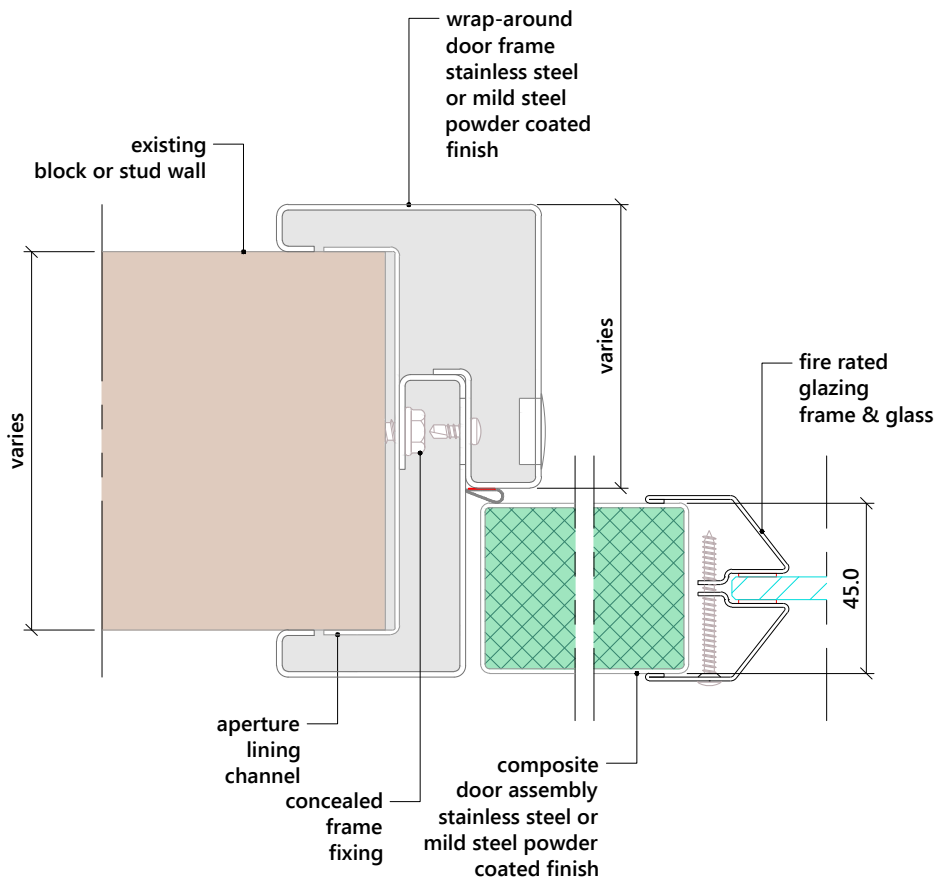
## Integrated door sets



horizontal section through door to wall - wrap-around frame non-fire rated

# DOORS

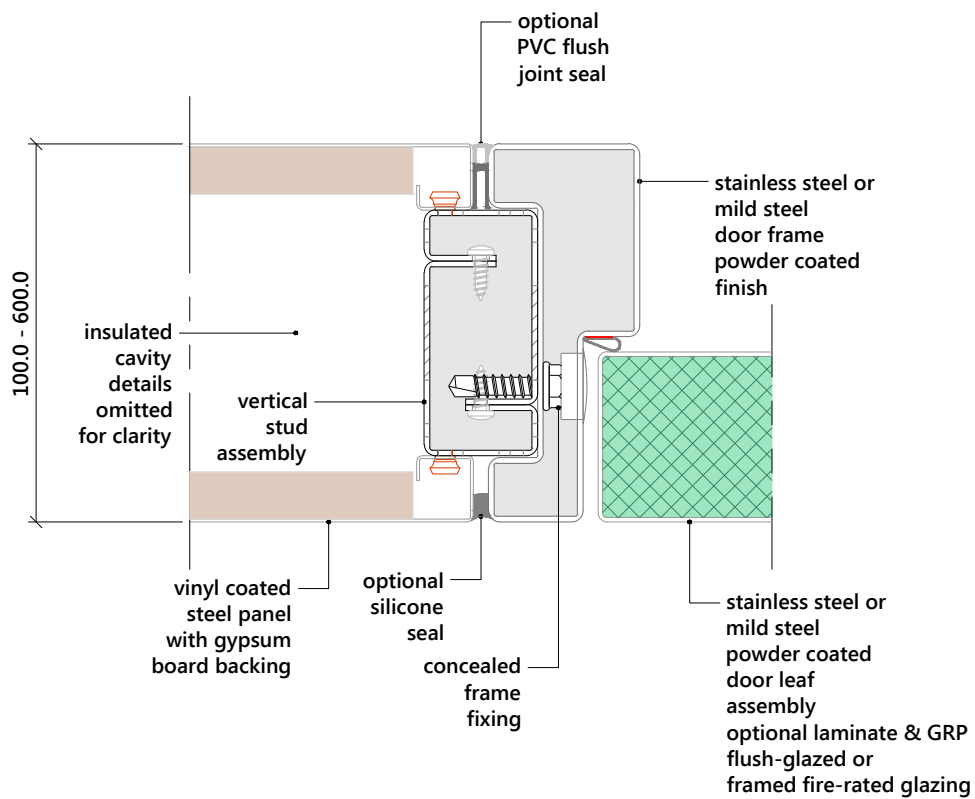
## Integrated door sets



horizontal section through door to wall - wrap-around frame fire rated

# DOORS

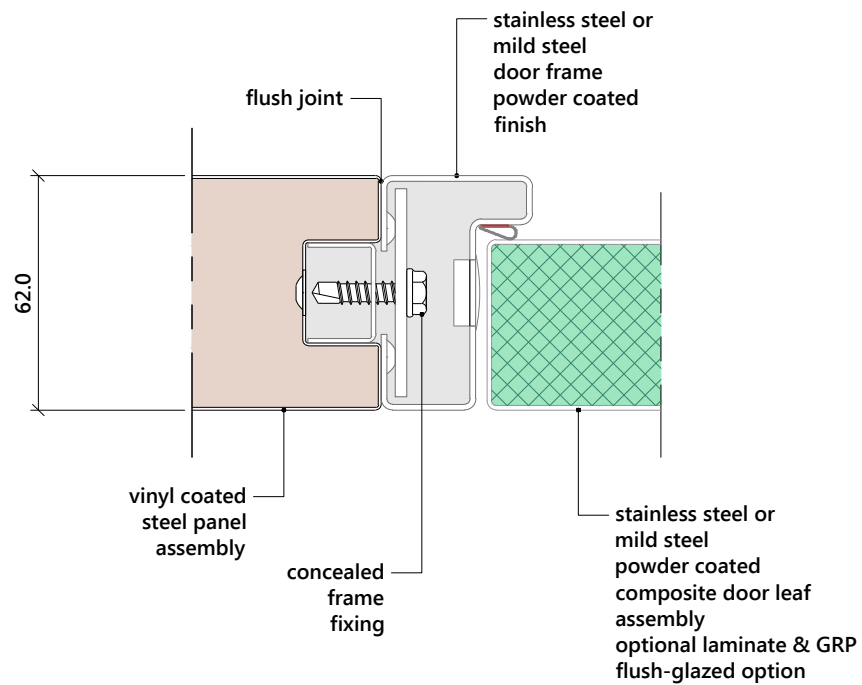
## Integrated door sets



horizontal section through  
M100 system solid wall to door vertical stud

# DOORS

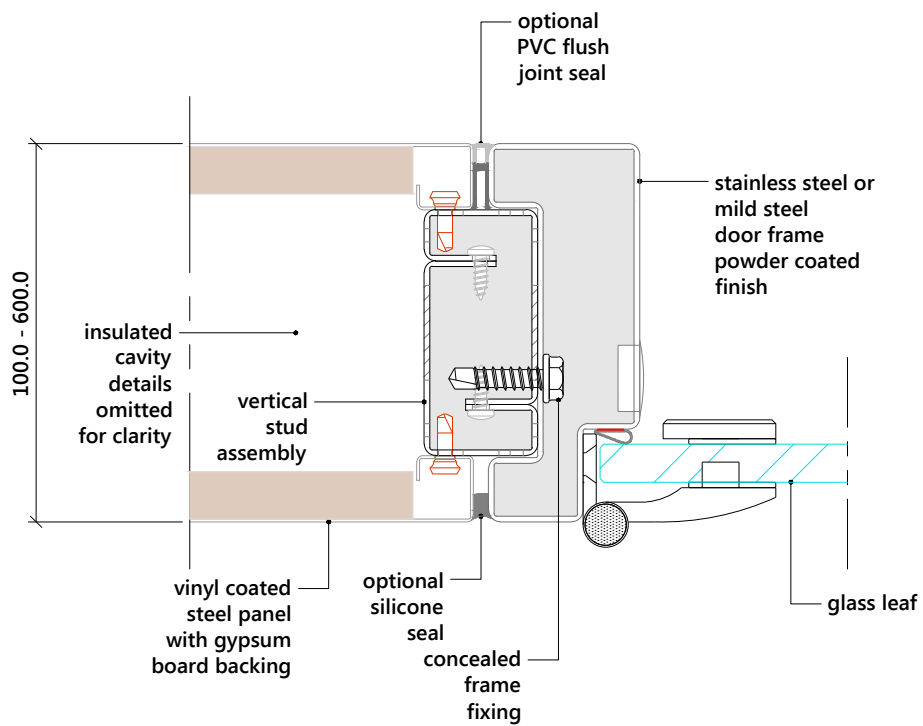
Integrated door sets



horizontal section through  
M65 system solid wall to door

# DOORS

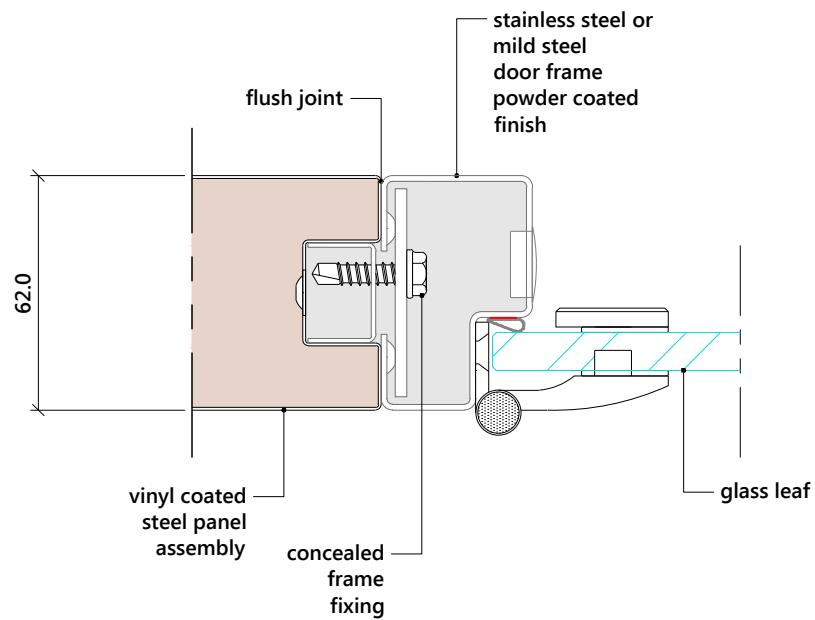
## Integrated door sets



horizontal section through  
M100 system solid wall to door vertical stud  
(glass leaf)

# DOORS

Integrated door sets

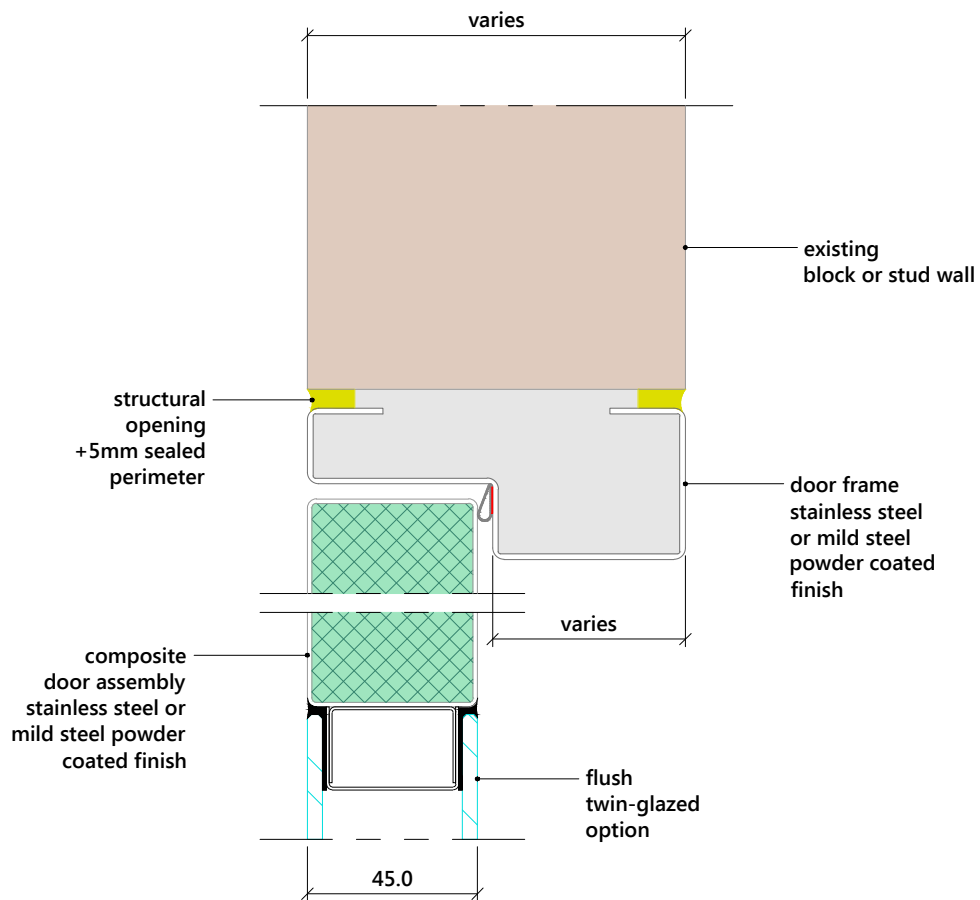


horizontal section through  
M65 system solid wall to door  
(glass leaf)



# DOORS

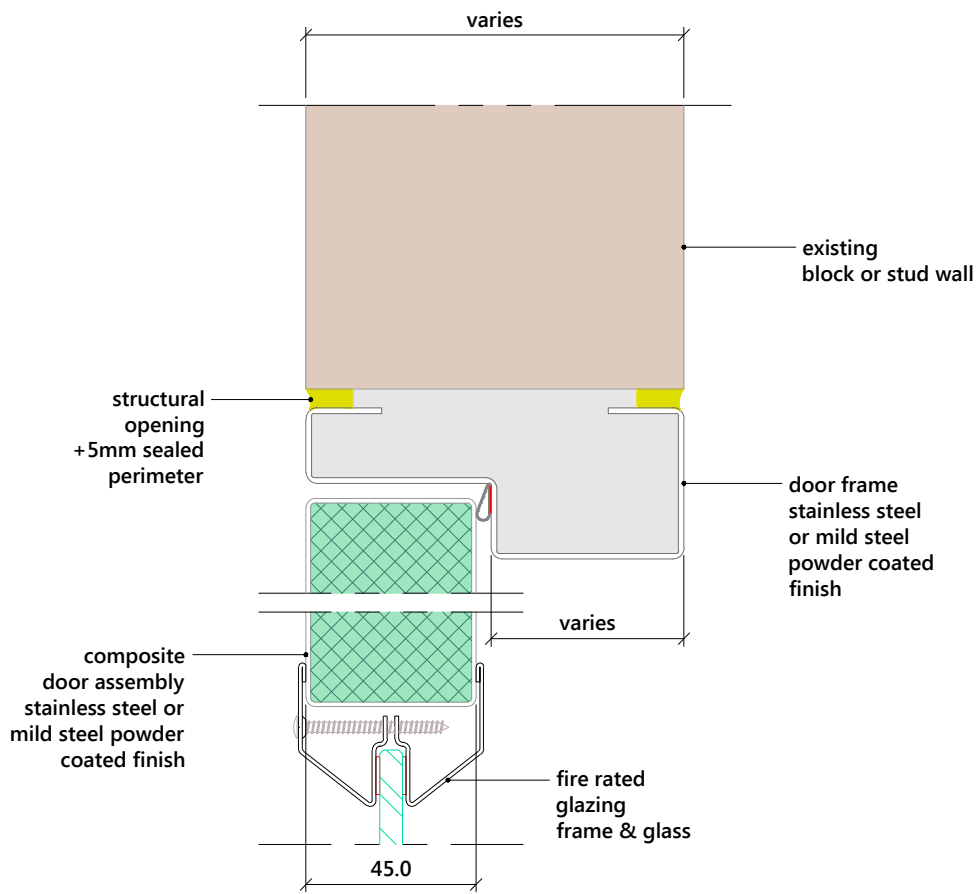
## Integrated door sets



vertical section through  
door to wall - abutting frame  
non-fire rated

# DOORS

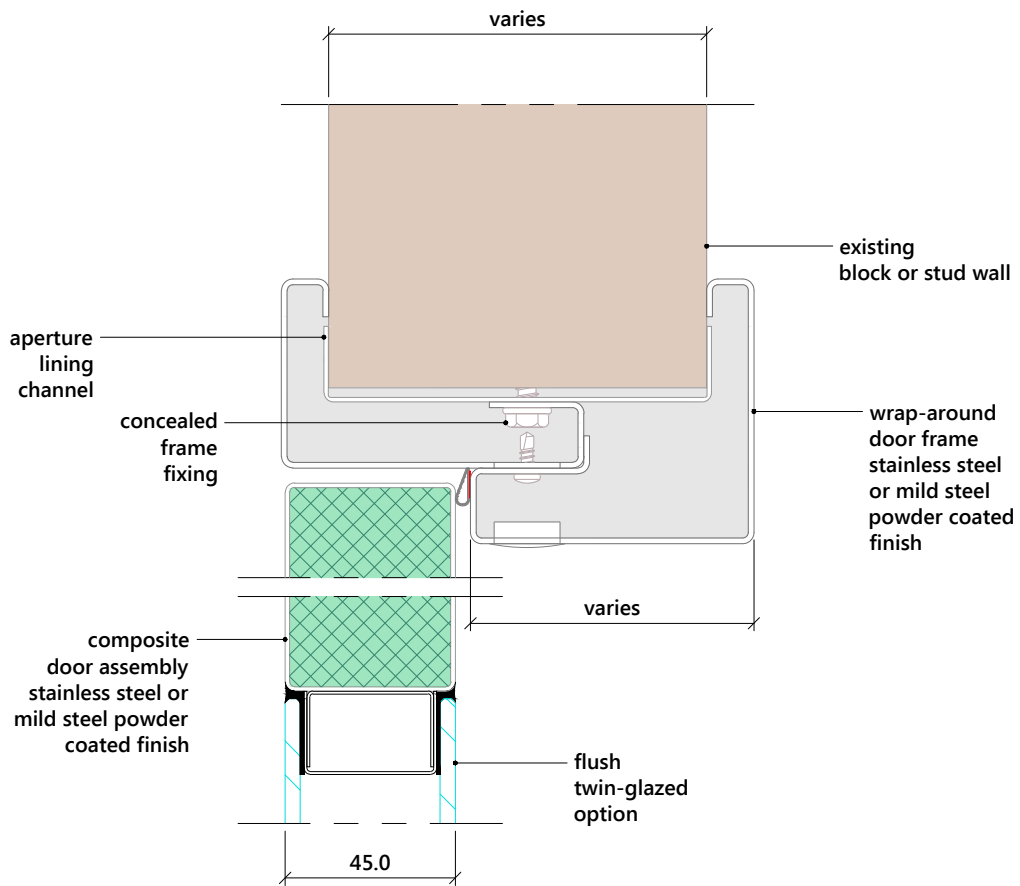
## Integrated door sets



vertical section through door to wall - abutting frame fire rated (up to 60mins)

# DOORS

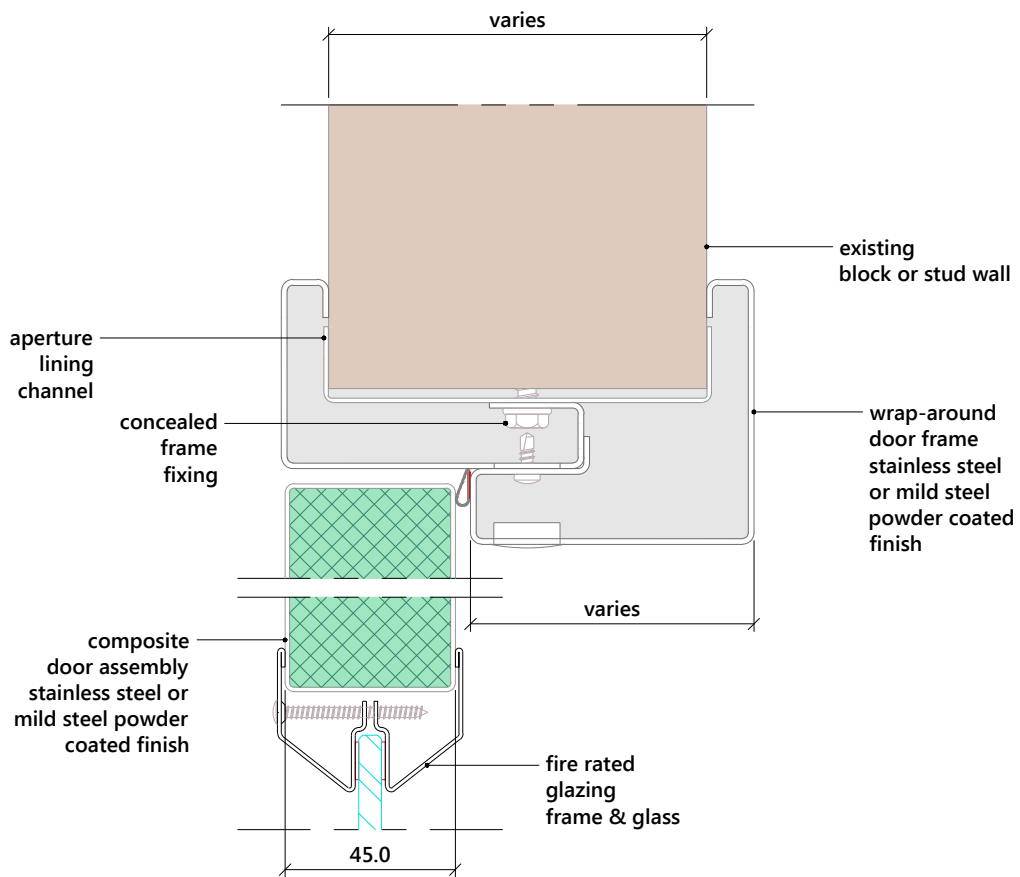
## Integrated door sets



vertical section through  
door to wall - wrap-around frame  
non-fire rated

# DOORS

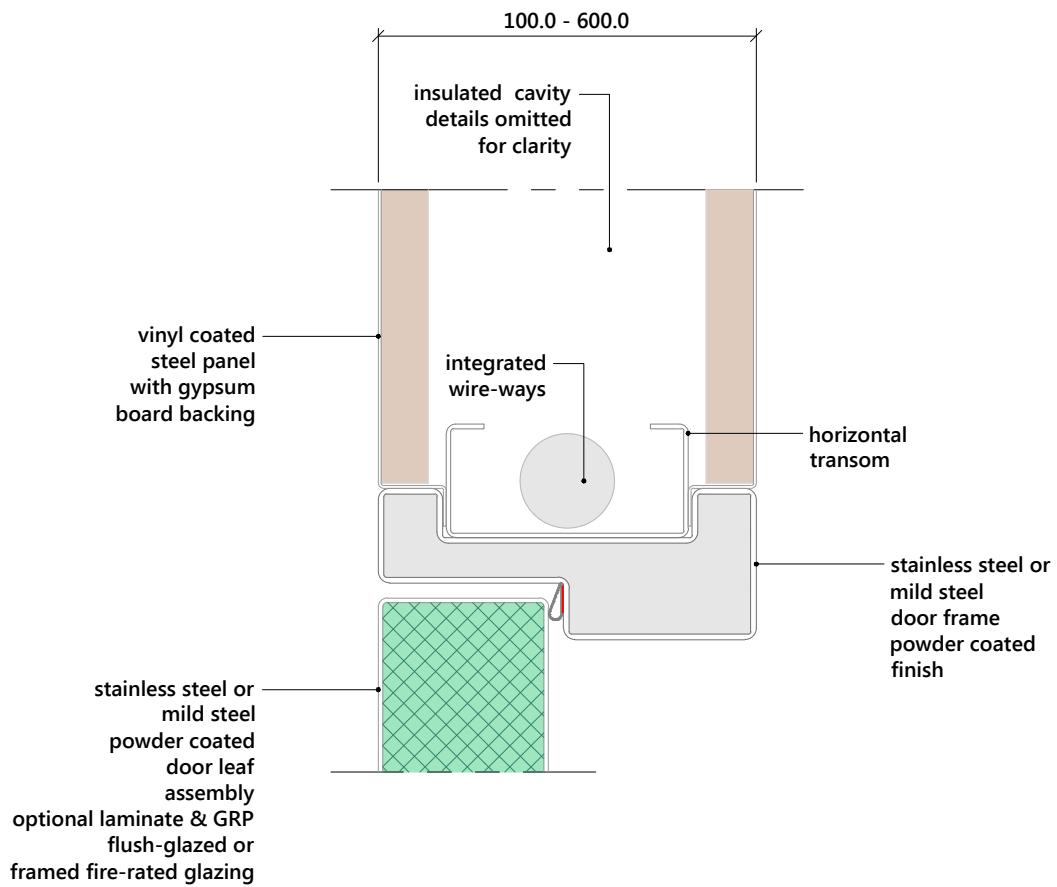
Integrated door sets



vertical section through door to wall - wrap-around frame fire rated

# DOORS

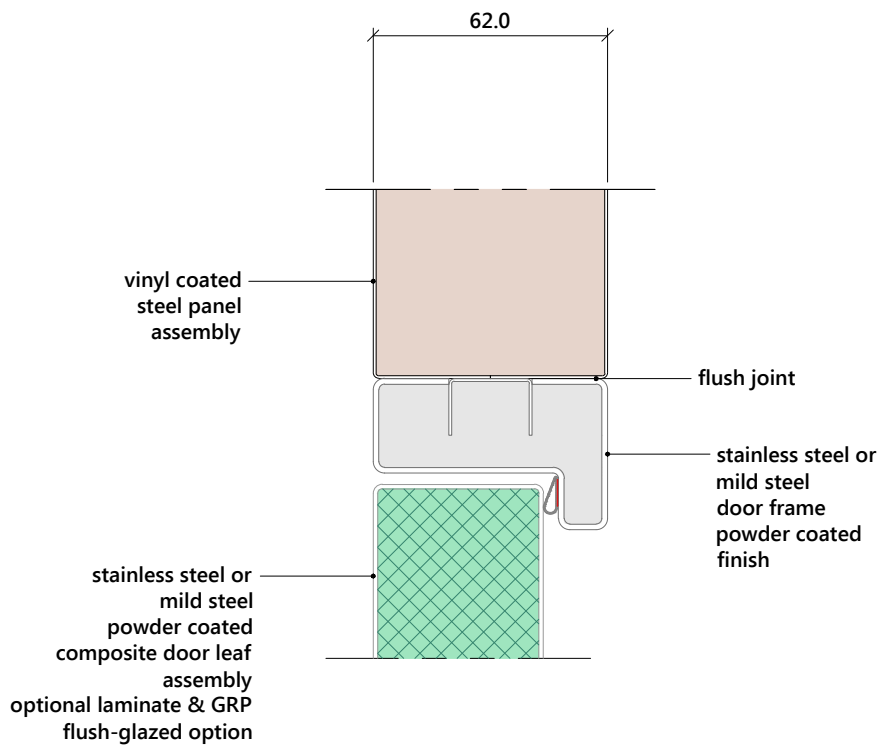
## Integrated door sets



vertical section through  
M100 system solid wall to door vertical stud

# DOORS

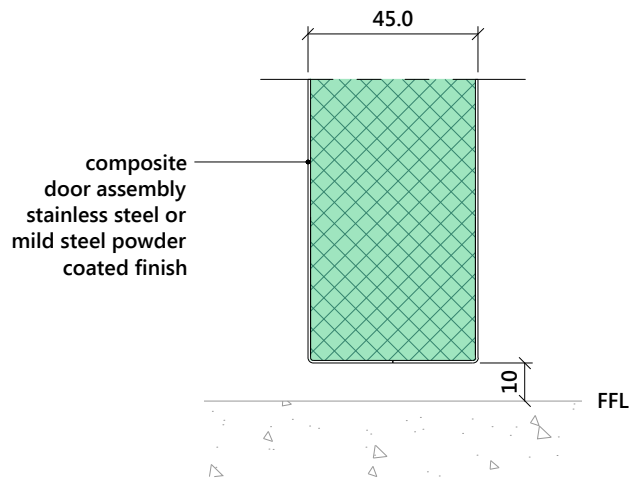
Integrated door sets



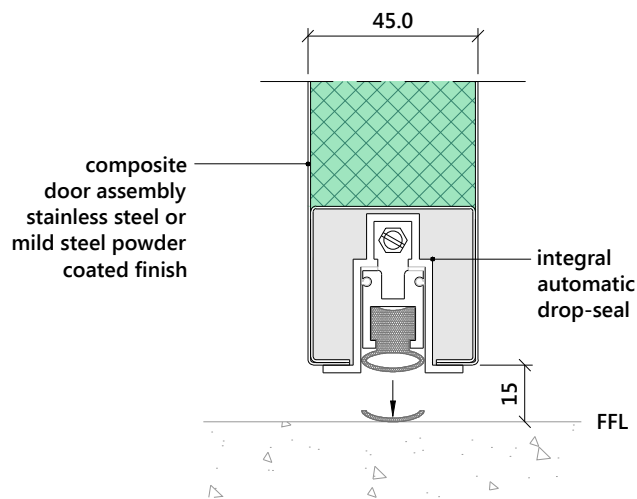
vertical section through  
M65 system solid wall to door

# DOORS

Integrated door sets



vertical section through standard door threshold



vertical section through optional door threshold with automatic drop-seal